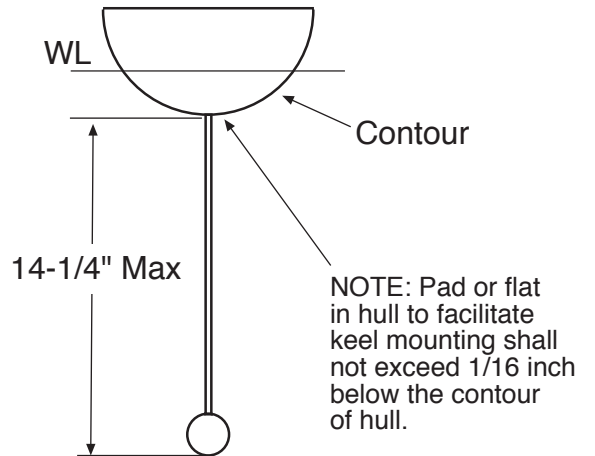
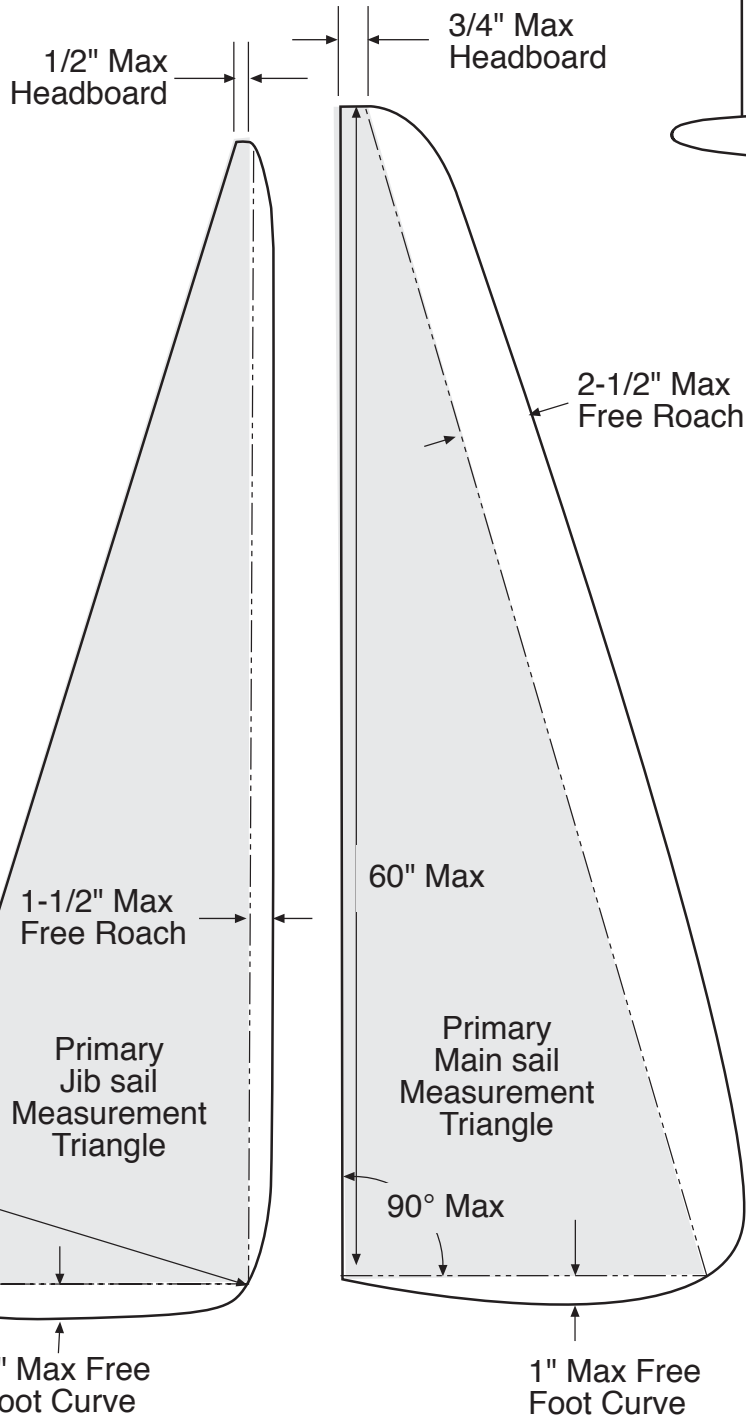
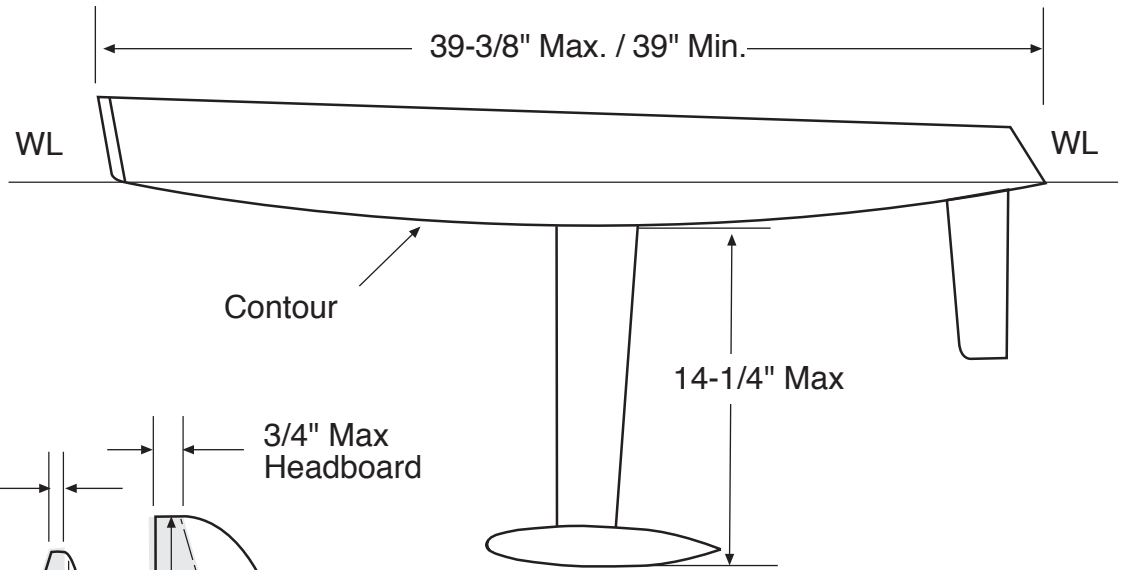
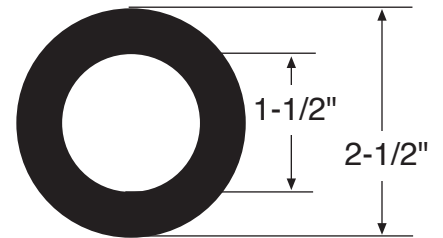


U. S ONE METER CONTROL DRAWING

NOTE: LOA is measured parallel to Waterline



NOTE: Pad or flat in hull to facilitate keel mounting shall not exceed 1/16 inch below the contour of hull.



CLASS LOGO